

Gira E2

Platform
System 55

Mounting type
Flush mounted

Material
Thermoplastic in the colours:
Pure white glossy
Pure white matt
Colour aluminium
Anthracite
New. Black matt

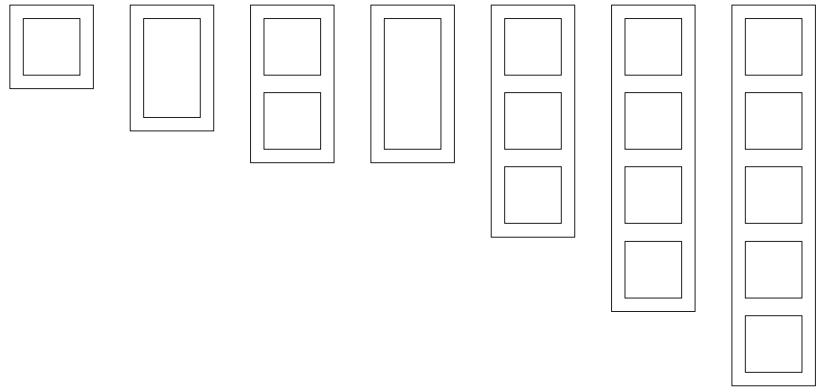
Shatter-proof, UV-resistant
plastic with easy-care surface

Stainless steel:
high-quality material,
resistant surface with
cool-silver silky lustre

Design
Gira Design Team,
Radevormwald

Awards
International Design Award,
red dot
Design Innovations,
iF Product Design Award

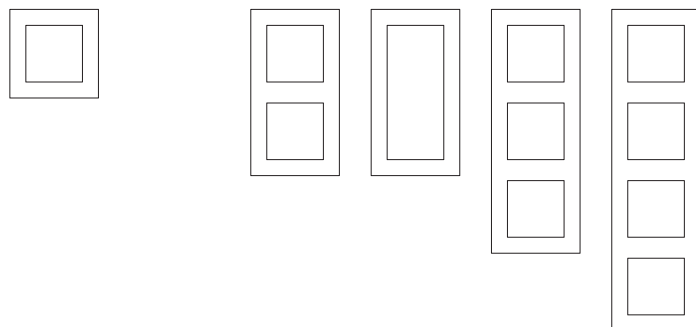
Gira E2
Frame variants/dimensions in mm



1-gang	1.5-gang*	2-gang	2-gang without crossbar	3-gang	4-gang	5-gang
W 80.8 H 80.8 D 9.3	W 80.8 H 121.4 D 9.3	W 80.8 H 151.9 D 9.3	W 80.8 H 151.9 D 9.3	W 80.8 H 223.4 D 9.3	W 80.8 H 294.7 D 9.3	W 80.8 H 366.0 D 9.3

Corner radii: 2.5 mm [stainless steel], 0.5 mm [thermoplastic]

Gira E2 flat-mounted
Frame variants/dimensions in mm



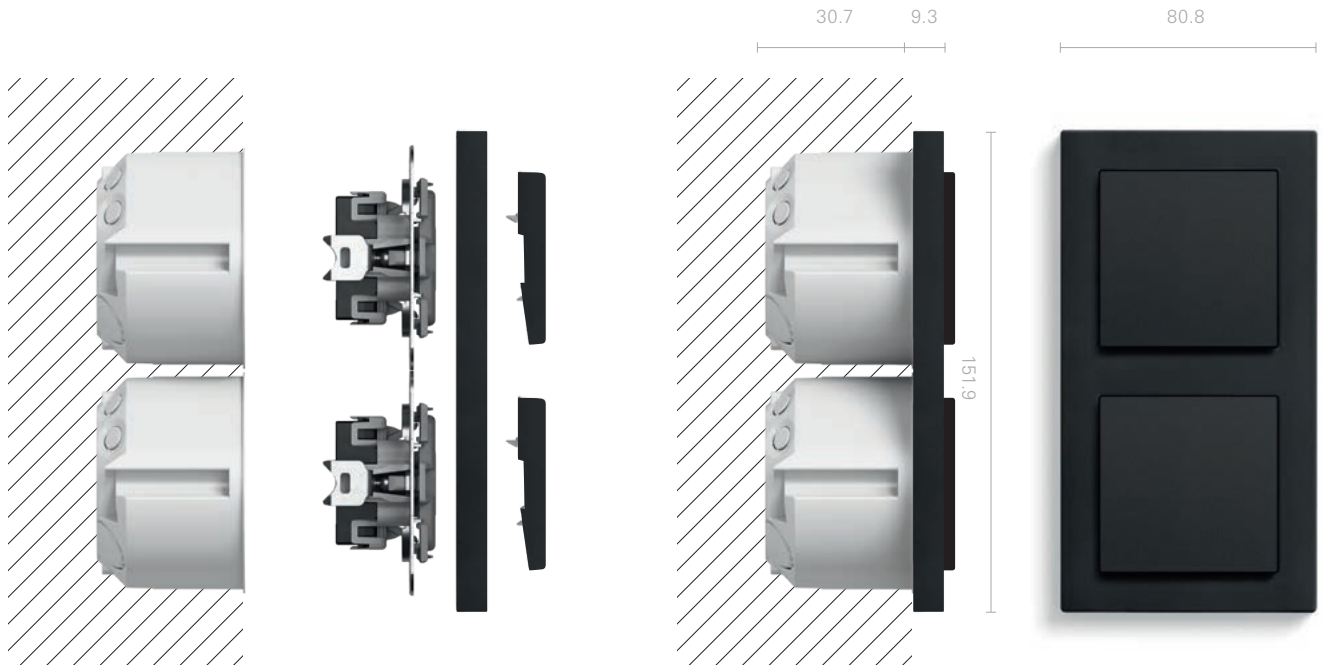
1-gang	2-gang	2-gang without crossbar	3-gang	4-gang
W 87.8 H 87.8 D 3.4	W 87.8 H 158.9 D 3.4	W 87.8 H 158.9 D 3.4	W 87.8 H 230.3 D 3.4	W 87.8 H 301.5 D 3.4

Corner radii: 2.5 mm [stainless steel], 0.5 mm [thermoplastic]

* only available in thermoplastic

Gira E2

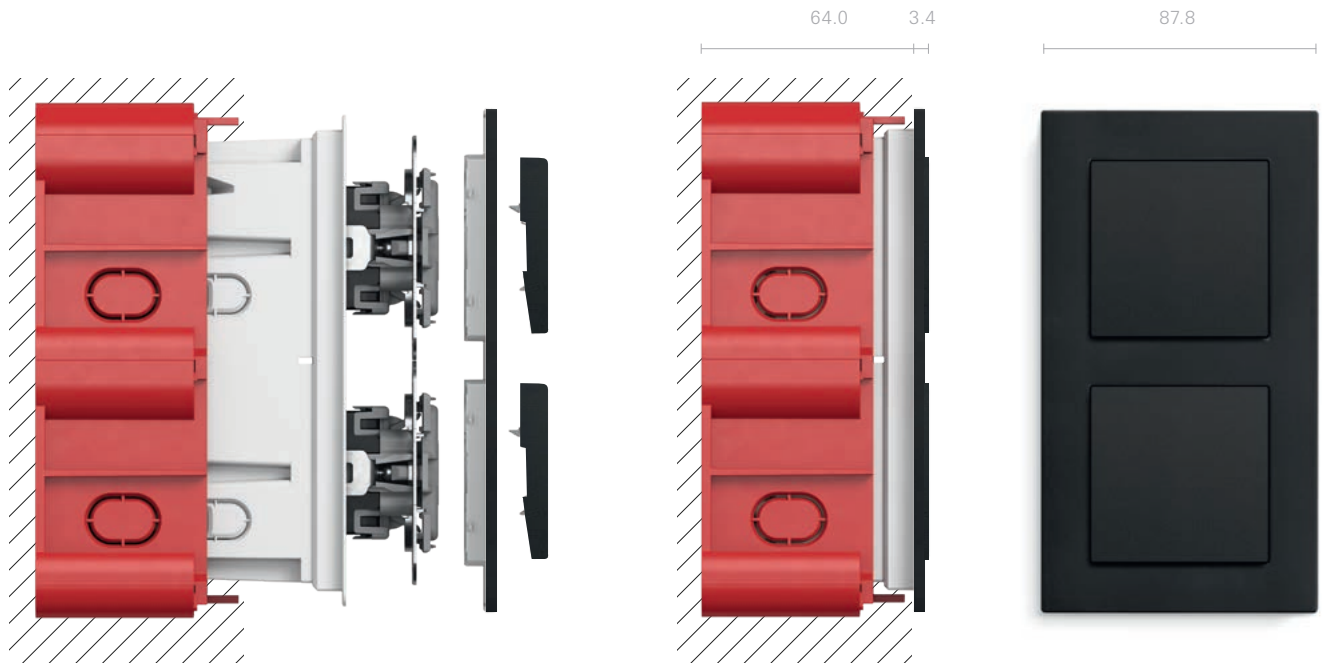
Frame variants/dimensions in mm



Installed in EU round boxes

Gira E2 flat-mounted

Frame variants/dimensions in mm



Installation in cavity walls or masonry with Gira device boxes or Gira flush-mounted installation boxes