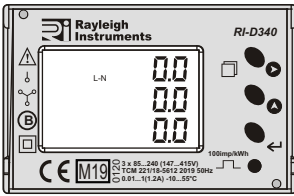


FRONT PANEL DESCRIPTION



ONLINE PAGE DESCRIPTION

There are 2 dedicated keys with symbols marked as **⏏** and **⏏** to read meter parameters.
 At power ON meter displays average phase to neutral voltage and active energy of three phases. The device will return to the default screen, 60 seconds after the last button press.

ONLINE PAGE DESCRIPTION FOR RI-D340-G-C

KEY PRESS	PARAMETER KEY	ONLINE PAGE DESCRIPTION
Press page (⏏) key (1st time)	—	Displays line to neutral voltage of three phases.
	Press ⏏ key	Displays line to line voltage of three phases.
	Press ⏏ key 3 sec.	Displays voltage sequence.
Press page (⏏) key (2nd time)	—	Displays phase current of three phases.
Press page (⏏) key (3rd time)	—	Displays average phase to neutral voltage, current and power factor of three phases and frequency
	Press ⏏ key	Displays average line to line voltage, current and power factor of three phases and frequency.
Press page (⏏) key (4th time)	—	Displays power factor of three phases and frequency.
	Press ⏏ key 1st time	Displays active power of three phases.
	Press ⏏ key 2nd time	Displays reactive power of three phases.
	Press ⏏ key 3rd time	Displays apparent power of three phases.
	Press ⏏ key 4th time	Displays total active power of three phases.
	Press ⏏ key 5th time	Displays total reactive power of three phases.
	Press ⏏ key 6th time	Displays total apparent power of three phases.
	Press ⏏ key 7th time	Displays max demand of active power.
	Press ⏏ key 8th time	Displays max demand of apparent power.
Press page (⏏) key (5th time)	—	Displays average phase to neutral voltage and active energy of three phases.
	Press ⏏ key	Displays average phase to neutral voltage and reactive energy of three phases.

ONLINE PAGE DESCRIPTION FOR RI-D360-G-C

Press page (⏏) key (1st time)	—	Displays line to neutral voltage of three phases.
	Press ⏏ key	Displays line to line voltage of three phases.
	Press ⏏ key 3 sec.	Displays voltage sequence.
Press page (⏏) key (2nd time)	—	Displays phase current of three phases of load 1.
	Press ⏏ key	Displays phase current of three phases of load 2.
Press page (⏏) key (3rd time)	—	Displays power factor of three phases of load 1 and frequency.
	Press ⏏ key 1st time	Displays power factor of three phases of load 2 and frequency.
	Press ⏏ key 2nd time	Displays active power of three phases of load 1.
	Press ⏏ key 3rd time	Displays active power of three phases of load 2.
	Press ⏏ key 4th time	Displays reactive power of three phases of load 1.

For 1P2W - P1

KEY PRESS	PARAMETER KEY	ONLINE PAGE DESCRIPTION
Press page (⏏) key (3rd time)	Press ⏏ key 5th time	Displays reactive power of three phases of load 2.
	Press ⏏ key 6th time	Displays apparent power of three phases of load 1.
	Press ⏏ key 7th time	Displays apparent power of three phases of load 2.
	Press ⏏ key 8th time	Displays total active power of three phases of load 1 and load 2.
	Press ⏏ key 9th time	Displays total reactive power of three phases of load 1 and load 2.
	Press ⏏ key 10th time	Displays total apparent power of three phases of load 1 and load 2.
Press page (⏏) key (4th time)	Press ⏏ key 11th time	Displays max demand of active power of load 1 and load 2
	Press ⏏ key 12th time	Displays max demand of apparent power of load 1 and load 2
Press page (⏏) key (4th time)	—	Displays average phase to neutral voltage and active energy of three phases of load 1 and load 2
	Press ⏏ key 1st time	Displays average phase to neutral voltage and reactive energy of three phases of load 1 and load 2
	Press ⏏ key 2nd time	Displays average phase to neutral voltage and total active energy of three phases of load 1 and load 2
	Press ⏏ key 3rd time	Displays average phase to neutral voltage and total reactive energy of three phases of load 1 and load 2

Note - For 1 phase 2 wire network, all page will be same as 3 phase 4 wire, but only Selectable phase parameter will display.

ONLINE PAGES FOR RI-D360-G-C (6CH) and RI-D340-G-C (2CH)

Press page (⏏) key (1st time)	—	Displays line to neutral voltage of selected phase.
Press page (⏏) key (2nd time)	—	Display current of CH 1 on 1st row, CH 2 on 2nd row and CH 3 on 3rd row as page one.
	Press ⏏ key 1st time	Display current of CH 4 on 1st row, CH 5 on 2nd row and CH 6 on 3rd row as page two.
Press page (⏏) key (3rd time)	—	Display power factor of CH 1 on 1st row, CH 2 on 2nd row and CH 3 on 3rd row as page one & Frequency
	Press ⏏ key 1st time	Display power factor of CH 4 on 1st row, CH 5 on 2nd row and CH 6 on 3rd row as page Two & Frequency
	Press ⏏ key 2nd time	Display active power of CH 1 on 1st row, CH 2 on 2nd row and CH 3 on 3rd row as page one.
	Press ⏏ key 3rd time	Display active power of CH 4 on 1st row, CH 5 on 2nd row and CH 6 on 3rd row as page two.
	Press ⏏ key 4th time	Display reactive power of CH 1 on 1st row, CH 2 on 2nd row and CH 3 on 3rd row as page one.
	Press ⏏ key 5th time	Display reactive power of CH 4 on 1st row, CH 5 on 2nd row and CH 6 on 3rd row as page two.
	Press ⏏ key 6th time	Display apparent power of CH 1 on 1st row, CH 2 on 2nd row and CH 3 on 3rd row as page one.
	Press ⏏ key 7th time	Display apparent power of CH 4 on 1st row, CH 5 on 2nd row and CH 6 on 3rd row as page two.
	Press ⏏ key 8th time	Displays total active power of load 1 (CH1,CH2,CH3) on 1st row and load 2 (CH4,CH5,CH6) .
	Press ⏏ key 9th time	Displays total reactive power of load 1 (CH1,CH2,CH3) on 1st row and load 2 (CH4,CH5,CH6) .
	Press ⏏ key 10th time	Displays total apparent power of load 1 (CH1,CH2,CH3) on 1st row and load 2 (CH4,CH5,CH6) .
Press ⏏ key 11th time	Displays max demand of active power of CH 1 on 1st row, CH 2 on 2nd row and CH 3 on 3rd row as page one.	

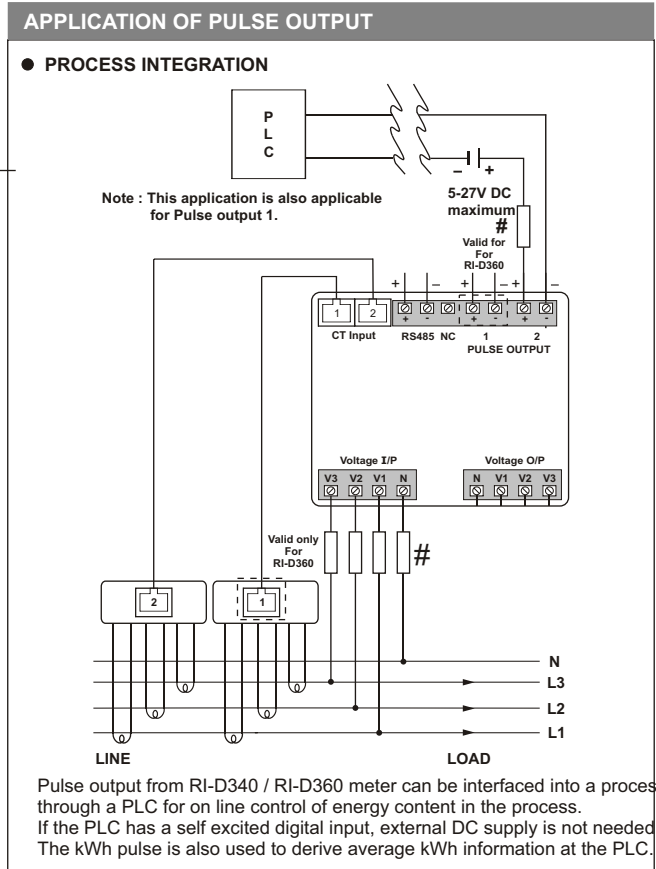
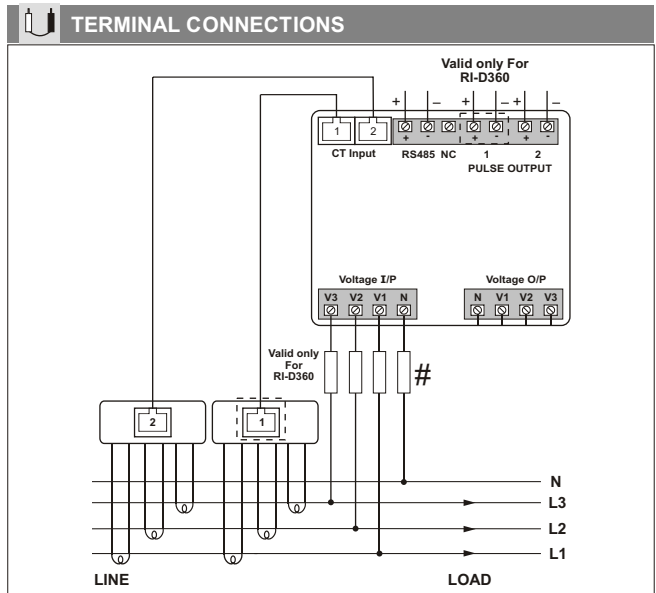
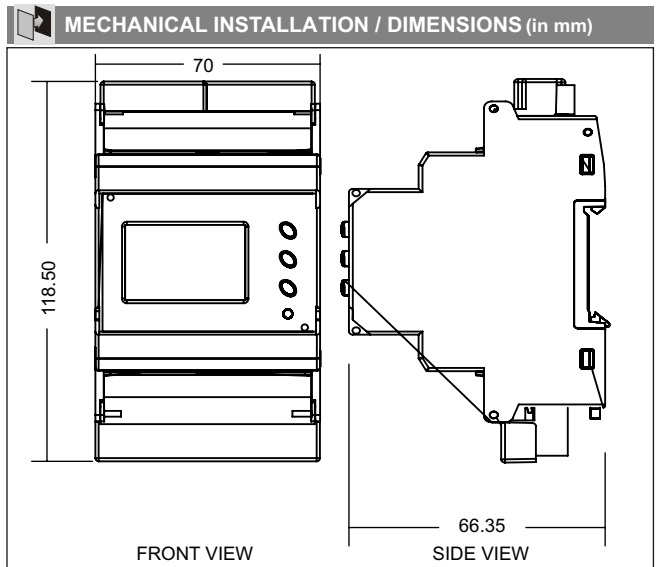
Press page (□) key (3rd time)	Press key 12th time	Displays max demand of apparent power of CH 1 on 1st row, CH 2 on 2nd row and CH 3 on 3rd row as page one.
	Press key 13th time	Displays max demand of active power of CH 4 on 1st row, CH 5 on 2nd row and CH 6 on 3rd row as page two.
	Press key 14th time	Displays max demand of apparent power of CH 4 on 1st row, CH 5 on 2nd row and CH 6 on 3rd row as page two.
Press page (□) key (4th time)	—	Displays line to neutral voltage of selected phase on 1st row and CH1 active energy
	Press key 1st time	Displays line to neutral voltage of selected phase on 1st row and CH1 reactive energy
	Press key 2nd time	Displays line to neutral voltage of selected phase on 1st row and CH2 active energy
	Press key 3rd time	Displays line to neutral voltage of selected phase on 1st row and CH2 reactive energy
	Press key 4th time	Displays line to neutral voltage of selected phase on 1st row and CH3 active energy
	Press key 5th time	Displays line to neutral voltage of selected phase on 1st row and CH3 reactive energy
	Press key 6th time	Displays line to neutral voltage of selected phase on 1st row and CH4 active energy
	Press key 7th time	Displays line to neutral voltage of selected phase on 1st row and CH4 reactive energy
	Press key 8th time	Displays line to neutral voltage of selected phase on 1st row and CH5 active energy
	Press key 9th time	Displays line to neutral voltage of selected phase on 1st row and CH5 reactive energy
	Press key 10th time	Displays line to neutral voltage of selected phase on 1st row and CH6 active energy
	Press key 11th time	Displays line to neutral voltage of selected phase on 1st row and CH6 reactive energy.
	Press key 12th time	Displays line to neutral voltage of selected phase on 1st row and total active energy of all channel.
Press key 13th time	Displays line to neutral voltage of selected phase on 1st row and total reactive energy of all channel.	

Note : 1.All pages will be same as above for P1/P2/P3 only phase wise voltage will be display.

CHANNEL DESCRIPTION				
	For RI-D360-G-C		For RI-D340-G-C	
LOAD	2 CH	6 CH	1 CH	3 CH
L1	1st, 2nd & 3rd phase of current 1	CH1, CH2, CH3	1st, 2nd & 3rd phase of current 1	CH1, CH2, CH3
L2	1st, 2nd & 3rd phase of current 2	CH4, CH5, CH6	—	—

PRODUCT DESCRIPTION	
1] SERIAL NUMBER	
Press key for 10 sec to display 8 digit serial no.On 2nd and 3rd row of display for 10 sec only	
2] CRC	
While displaying serial no , press key once to show CRC of RI-D340 & Load 2 (Master) of RI-D360 on 2nd row and for load 1 (Slave) of RI-D360 on 3rd row.	
3] PRODUCT NAME AND VERSION NUMBER	
While displaying serial no, press key once to display product Type on 1st row and Software version and CT mounting type of load 1 on 2nd row of display and 3rd row display CT mounting type of load 2.	

CT ROTATION - IMPORTANT NOTE	
Please note: All THREE PHASE easywire current transformers as default are configured to monitor Incoming supplies (L1 is on the right-hand side when viewed from the P2 face). If the transformer is to be used for load monitoring (Requiring L1 to be on the Left-hand side when viewed from the P2 face), the operator must perform the “ To change ” procedure described below;	
To change:	
1. Press and hold for 3 seconds until the display changes, release the key. Press and hold the key again for 3 seconds.	
2. Wait 5 seconds for meter to resume online reading. Meter display will show LH when checked using the “ To check ” procedure described below.	
To check:	
1. Press and hold for 3 seconds until the display changes, release the key.	
2. Wait 5 seconds and the meter will resume normal operation.	



CONFIGURATION

There are 3 dedicated key with symbols marked as **⏪**, **⏩** and **⏴**.

Use these 3 key to enter into configuration / change setting.

Note : The settings should be done by a professional, after going through this users manual and after having understood the application situation. For the configuration setting mode :

- Use **⏪** and **⏴** for 3 sec. to enter or exit from config. mode.
- Use **⏩** shift key to move cursor left or right by one digit each time. After last digit of display cursor shift at 1st digit of display.
- Use **⏩** increment key for increasing the parameter value.
- Use **⏴** key to save the setting and move on to next page.
- Use **⏪** and **⏩** keys to go back to previous page.

Config. page.	Function	Range or Selection	Factory Setting
	Password	0000 to 9998	1000
1	Change Password	No / Yes	No
1.1	New Password	0000 to 9998	1000
2	Channel Selection		
	For RI-D360-G-C	2CH/6CH	2CH
	For RI-D340-G-C	1CH/3CH	1CH
3	Network Selection	3P4W, 1P2W-P1,P2,P3	3P4W
4	CT Secondary	Preset	1
5	CT Primary 1	1A to 6,000A	1
6	CT Primary 2 for RI-D360	1A to 6,000A	1
7	Current connection L1	RHS/LHS	RHS
8	Current connection L2	RHS/LHS	RHS
9	PT Secondary	100V to 500V	350
10	PT primary	100V to 600V	350
11	Slave Id	1 to 255	1
12	Baud Rate	300, 600, 1200, 2400, 4800, 9600 and 19200	9600
13	Parity	None, Even, Odd	None

14	Stop Bit	1 or 2	1
15	Back Light	0 to 7200 sec.	0000
16	Demand interval method	Sliding / Fixed	Sliding
17	Demand interval duration	1 to 30	15
18	Demand interval length	1 to 30min	1
19	Pulse Weight (load 1)	0.01 to 9.99kWh	0.10
20	Pulse Weight (load 2) for RI-D360	0.01 to 9.99kWh	0.10
21	Pulse Duration	50, 100, 150, 200, 250, 300	200
22	Factory Default	No / Yes	No
23	Reset Energy and Max Demand	No / Yes	No
•23.1	Password	0001 to 9999	1001
23.01	Reset Active Energy	No / Yes	No
23.02	Reset Reactive Energy	No / Yes	No
23.03	Reset Max Power	No / Yes	No
	For RI-D360		
•23.1	Password	0001 to 9999	1001
23.01	Reset Active Energy-1	No / Yes	No
23.02	Reset Reactive Energy-1	No / Yes	No
23.03	Reset L1 Max Power	No / Yes	No
23.04	Reset Active Energy-2	No / Yes	No
23.05	Reset Reactive Energy-2	No / Yes	No
23.06	Reset L2 Max Power	No / Yes	No

• For resetting energy parameters user will be prompted the password. If correct password is entered, the user will be able to reset all energy parameters. This password will be value which will be greater than the configuration password by 1.

MODBUS REGISTER ADDRESSES LIST

Readable / writable parameters : [Data Structure : Integer]

Readable / writable parameters from RI-D340 / RI-D360 :			# 0.01 resolution [1 = 0.01kWh] • Applicable for RI-D340 also		
Address	Hex Address	Parameter	Range		Length (Register)
40000	0x00	Password	Min value : 0	Max value : 9998	1
40007	0x07	Slave id	Min value : 1	Max value : 255	1
40008	0x08	Baud rate (bps)	Value : 0x0000	Meaning : 300	1
			Value : 0x0001	Meaning : 600	
			Value : 0x0002	Meaning : 1200	
			Value : 0x0003	Meaning : 2400	
			Value : 0x0004	Meaning : 4800	
			Value : 0x0005	Meaning : 9600	
			Value : 0x0006	Meaning : 19200	
40009	0x09	Parity	Value : 0x0000	Meaning : None	1
			Value : 0x0001	Meaning : Odd	
			Value : 0x0002	Meaning : Even	
40010	0x0A	Stop bit	Value : 0x0000	Meaning : 1	1
			Value : 0x0001	Meaning : 2	
40011	0x0B	Backlight OFF (sec.)	Min value : 0	Max value : 7200	1
40034	0x22	Demand Interval Method	Value : 0x0000	Meaning : Sliding	1
			Value : 0x0001	Meaning : Fixed	
40035	0x23	Demand Interval Duration	MIN Value : 1	MAX Value : 30	1
40036	0x24	Demand Interval Length(min)	MIN Value : 1	MAX Value : 30	1
40037	0x25	Reset max kW [of load 2 for RI-D360]	1	Reset max Active power	1
40041	0x29	Reset max kVA [of load 2 for RI-D360]	1	Reset max Apparent power	1
40045	0x2C	Reset max kW [of load 1 for RI-D360]	1	Reset max Active power	1
40049	0x31	Reset max kVA [of load 1 for RI-D360]	1	Reset max Apparent power	1

40057	0x39	Pulse duration (Sec)	Min value :50	Max value : 300	1
40058	0x3A	Pulse Weight (kWh) [of load 2 for RI-D360]	Min value : 0.01	Max value : 99.99	1
40059	0x3B	Pulse Weight (kWh) [of load 1 for RI-D360]	Min value : 0.01	Max value : 99.99	1

MODBUS REGISTER ADDRESSES LIST Readable Parameters : [Length (Register) : 2 ; Data Structure : Float]

NOTE : LSB will be displayed on lower address and MSB will be displayed on higher address.

Address	Hex Address	Parameter	Address	Hex Address	Parameter	Address	Hex Address	Parameter
30000	0x00	Voltage V1N	30006	0x06	Average Voltage LN	30012	0x0C	Voltage V31
30002	0x02	Voltage V2N	30008	0x08	Voltage V12	30014	0x0E	Average Voltage LL
30004	0x04	Voltage V3N	30010	0x0A	Voltage V23	30132	0x84	Serial No (Data Structure : Hex)

For RI-D340 and RI-D360 [Load 2] parameters

30016	0x10	Current I1	30036	0x24	kVAr1	30056	0x38	Frequency
30018	0x12	Current I2	30038	0x26	kVAr2	30058	0x3A	kWh
30020	0x14	Current I3	30040	0x28	kVAr3	30062	0x3E	kVArh
30022	0x16	Average Current	30042	0x2A	Total kW	30064	0x40	kW MAX Active Power
30024	0x18	kW1	30044	0x2C	Total kVA	30072	0x48	kVA MAX Apparent Power
30026	0x1A	kW2	30046	0x2E	Total kVAr	30134	0x86	Existing kW MAX Active Power
30028	0x1C	kW3	30048	0x30	PF1	30138	0x8A	Existing kVA MAX Apparent Power
30030	0x1E	kVA1	30050	0x32	PF2			
30032	0x20	kVA2	30052	0x34	PF3			
30034	0x22	kVA3	30054	0x36	Average PF			

RI-D360 [Load 1] Parameter

30074	0x4A	Current I1	30094	0x5E	kVAr1	30114	0x72	Frequency
30076	0x4C	Current I2	30096	0x60	kVAr2	30116	0x74	kWh
30078	0x4E	Current I3	30098	0x62	kVAr3	30120	0x78	kVArh
30080	0x50	Average Current	30100	0x64	Total kW	30122	0x7A	kW MAX Active Power
30082	0x52	kW1	30102	0x66	Total kVA	30130	0x82	kVA MAX Apparent Power
30084	0x54	kW2	30104	0x68	Total kVAr	30142	0x8E	Total kWh (Load 1 and Load 2)
30086	0x56	kW3	30106	0x6A	PF1	30144	0x90	Total kVArh (Load 1 and Load 2)
30088	0x58	kVA1	30108	0x6C	PF2	30146	0x92	Existing kW MAX Active Power
30090	0x5A	kVA2	30110	0x6E	PF3	30148	0x94	Existing kVA MAX Apperant Power
30092	0x5C	kVA3	30112	0x70	Average PF			

For 3CH and 6CH

Address	Hex Address	Parameter	Address	Hex Address	Parameter	Address	Hex Address	Parameter
30150	0x96	kWh CH1	30174	0xAE	kW Max active power of CH1	30198	0xC6	Existing kW Max active power of CH1
30152	0x98	kWh CH2	30176	0xB0	kW Max active power of CH2	30200	0xC8	Existing kW Max active power of CH2
30154	0x9A	kWh CH3	30178	0xB2	kW Max active power of CH3	30202	0xCA	Existing kW Max active power of CH3
30156	0x9C	kWh CH4	30180	0xB4	kW Max active power of CH4	30204	0xCC	Existing kW Max active power of CH4
30158	0x9E	kWh CH5	30182	0xB6	kW Max active power of CH5	30206	0xCE	Existing kW Max active power of CH5
30160	0xA0	kWh CH6	30184	0xB8	kW Max active power of CH6	30208	0xD0	Existing kW Max active power of CH6
30162	0xA2	kVArh CH1	30186	0xBA	kW Max apparent power of CH1	30210	0xD2	Existing kVA Max apparent power of CH1
30164	0xA4	kVArh CH2	30188	0xBC	kW Max apparent power of CH2	30212	0xD4	Existing kVA Max apparent power of CH2
30166	0xA6	kVArh CH3	30190	0xBE	kW Max apparent power of CH3	30214	0xD6	Existing kVA Max apparent power of CH3
30168	0xA8	kVArh CH4	30192	0xC0	kW Max apparent power of CH4	30216	0xD8	Existing kVA Max apparent power of CH4
30170	0xAA	kVArh CH5	30194	0xC2	kW Max apparent power of CH5	30218	0xDA	Existing kVA Max apparent power of CH5
30172	0xAC	kVArh CH6	30196	0xC4	kW Max apparent power of CH6	30220	0xDC	Existing kVA Max apparent power of CH6

Note: CH1,CH2,CH3 Applicable only for RI-D340-G-C

NOTE : LSB will be displayed on lower address and MSB will be displayed on higher address. Readable parameters : [Data Structure : Hex]

MODBUS REGISTER ADDRESSES LIST Readable Parameters : [Length (Register) : 2 ; Data Structure : Hex]

NOTE LSB will be displayed on lower address and MSB will be displayed on higher address.

Address	Hex Address	Parameter	Length	Address	Hex Address	Parameter	Length	Address	Hex Address	Parameter	Length
31000	0x3E8	Voltage V1N	2	31006	0x3EE	Average Voltage LN	2	31012	0x3F4	Voltage V31	2
31002	0x3EA	Voltage V2N	2	31008	0x3F0	Voltage V12	2	31014	0x3F6	Average Voltage LL	2
31004	0x3EC	Voltage V3N	2	31010	0x3F2	Voltage V23	2				

For RI-D340 and RI-D360 [load 2] Parameter

31016	0x3F8	Current I1	2	31024	0x400	kW1	2	31032	0x408	kVA2	2
31018	0x3FA	Current I2	2	31026	0x402	kW2	2	31034	0x40A	kVA3	2
31020	0x3FC	Current I3	2	31028	0x404	kW3	2	31036	0x40C	kVAr1	2
31022	0x3FE	Average Current	2	31030	0x406	kVA1	2	31038	0x40E	kVAr2	2

31040	0x410	kVAr3	2	31049	0x419	PF2	1	31057	0x421	kVArh	3
31042	0x412	Total kW	2	31050	0x41A	PF3	1	31064	0x428	kW MAX Active Power	2
31044	0x414	Total kVA	2	31051	0x41B	Average PF	1	31072	0x430	kVA MAX Apparent Power	2
31046	0x416	Total kVAr	2	31052	0x41C	Frequency	1				
31048	0x418	PF1	1	31054	0x41E	kWh	3				

For RI-D360 [load 1] Parameter											
31074	0x432	Current I1	2	31092	0x444	kVA3	2	31108	0x454	PF3	1
31076	0x434	Current I2	2	31094	0x446	kVAr1	2	31109	0x455	Average PF	1
31078	0x436	Current I3	2	31096	0x448	kVAr2	2	31110	0x456	Frequency	1
31080	0x438	Average Current	2	31098	0x44A	kVAr3	2	31112	0x458	kWh	3
31082	0x43A	kW1	2	31100	0x44C	Total kW	2	31115	0x45B	kVArh	3
31084	0x43C	kW2	2	31102	0x44E	Total kVA	2	31122	0x462	kW MAX Active Power	2
31086	0x43E	kW3	2	31104	0x450	Total kVAr	2	31131	0x46B	kVA MAX Apparent Power	2
31088	0x440	kVA1	2	31106	0x452	PF1	1	31142	0x476	Total kWh	3
31090	0x442	kVA2	2	31107	0x453	PF2	1	31145	0x479	Total kVArh	3

For 3CH and 6CH											
31150	0x47E	kWh CH1	3	31186	0x4A2	kW Max active power of Ch1	2				
31153	0x481	kWh CH2	3	31188	0x4A4	kW Max active power of CH2	2				
31156	0x484	kWh CH3	3	31190	0x4A6	kW Max active power of CH3	2				
31159	0x487	kWh CH4	3	31192	0x4A8	kW Max active power of CH4	2				
31162	0x48A	kWh CH5	3	31194	0x4AA	kW Max active power of CH5	2				
31165	0x48D	kWh CH6	3	31196	0x4AC	kW Max active power of CH6	2				
31168	0x490	kVArh CH1	3	31198	0x4AE	kW Max apparent power of CH1	2				
31171	0x493	kVArh CH2	3	31200	0x4B0	kW Max apparent power of CH2	2				
31174	0x496	kVArh CH3	3	31202	0x4B2	kW Max apparent power of CH3	2				
31177	0x499	kVArh CH4	3	31204	0x4B4	kW Max apparent power of CH4	2				
31180	0x49C	kVArh CH5	3	31206	0x4B6	kW Max apparent power of CH5	2				
31183	0x49F	kVArh CH6	3	31208	0x4B8	kW Max apparent power of CH6	2				

Note: 1.CH1,CH2,CH3 Applicable only for RI-D340-G-C
 2.Voltage and current will display in mV and mA. Power will display in W(Active), VAr (Reactive) & VA(Apparent). Energy will display in Wh(Active) VArh(Reactive) & VAh(Apparent)

Energy rollover counter addresses : This counter will increment when energy is rollover from 9999999 to 0. [Data Structure : Integer]

For RI-D340-G-C

Address	Hex Address	Parameter	Lenght	Address	Hex Address	Parameter	Length
31291	0x50B	kWh CH 1	1	31295	0x50F	kVArh CH 1	1
31292	0x50C	kWh CH 2	1	31296	0x510	kVArh CH 2	1
31293	0x50D	kWh CH 3	1	31297	0x511	kVArh CH 3	1
31294	0x50E	Total kWh	1	31298	0x512	Total kVArh	1

For RI-D360-G-C

Address	Hex Address	Parameter	Lenght	Address	Hex Address	Parameter	Length
31299	0x513	kWh CH 1	1	31303	0x517	kVArh CH 1	1
31300	0x514	kWh CH 2	1	31304	0x518	kVArh CH 2	1
31301	0x515	kWh CH 3	1	31305	0x519	kVArh CH 3	1
31302	0x516	Total kWh(CH1,CH2,CH3)	1	31306	0x51A	Total kVArh(CH1,CH2,CH3)	1
31291	0x50B	kWh CH 4	1	31295	0x50F	kVArh CH 4	1
31292	0x50C	kWh CH 5	1	31296	0x510	kVArh CH 5	1
31293	0x50D	kWh CH 6	1	31297	0x511	kVArh CH 6	1
31294	0x50E	Total kWh(CH4,CH5,CH6)	1	31298	0x512	Total kVArh(CH4,CH5,CH6)	1
31307	0x51B	Total kWh (All 6 Channel)	1	31308	0x51C	Total kVArh (All 6 Channel)	1

Example to Read Data from Input Register

For eg. If Total Active Energy =1234.12 kWh
 Start Address : 30090 , No. of Register: 02
 Hexadecimal Equivalent of 1234.12 is 0x449A43D7

Data stored at 30090 is LSB : $\frac{A}{43} \frac{B}{D7}$

Data stored at 30091 is MSB : $\frac{C}{44} \frac{D}{9A}$
 Data Format to be followed is C-D-A-B

(Specifications are subject to change, since development is a continuous process.)

Rayleigh Instruments Ltd.
Raytel House, Cutlers Road,
South Woodham Ferrers, Essex,
CM3 5WA, UK
Tel. 0044(0)1245428500
www.rayleigh.com